

mainestream

from
maine





The Modular Locker design has been incorporated into Mainstream, offering numerous personal solutions within a mid-range design.

maine

Maine design and manufacture beautifully made flexible storage solutions for the commercial interior market.

Our product is UK manufactured in Bletchley in Milton Keynes.

We have a wealth of experience within our design team to offer bespoke designs for your project, along with our extensive standard product range.

For decades Maine has been a successful provider of steel storage into the UK and export markets.

From lateral file product to locker systems, we pride ourselves at being experts in consulting with Architects, Dealers and End Users, delivering high quality, well designed product for the discerning commercial interiors market.





A modular system...

Mainstream is a modular range of storage that includes lockers, tambour and 2 door cupboards, combination and drawered cabinets. This allows a mixture of cabinet types to be suited together to ensure various media can be accommodated.

Mainstream...an overview...

Mainstream is available in 2 standard widths and 7 standard heights, with shelves being adjustable in 10mm increments. The complete range of units are in pages 11-21.

Easily reconfigure your space...

The well-engineered, projection welded frame of Mainstream cabinets enables the storage to be repositioned even when fully laden.

Tambours...

Tambour cabinets are side opening, with an easi-glide action, inset handle detail, and a full magnetic closure strip. Details on colour options can be seen on page 7.

Lockers...

Lockers have become indispensable in current commercial interiors. These are offered within Mainstream as a personal storage solution. This lends Mainstream to the growing trend of moving away from the ubiquitous pedestal once seen as the must have desk storage solution, to the personal locker with all the secure benefits this brings.



Mainstream can be specified in different heights to allow for printers and other equipment. Integrated recycling units can also be added.



Mainstream modules can be specified in a single colour or multiple colours from our colour palette

Maine products can be specified in a wide variety of finishes including project specific and corporate colours.

Finishes can be normally specified from BS / RAL / Pantone or Dulux Colour Dimensions. Specialist paint finishes including metallic, polychromatic and pearlescent colours are available on request.

Maine's Powder Coat finishing plant employs the most contemporary technology to ensure a perfect finish.

The standard colours for tambour blinds are as follows: black, White, Light Grey, Anthracite Grey and Light Ivory.

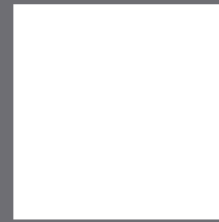
Silver, Beech or Oak may also be specified at an additional cost.

For specific colour requests please contact Maine Office Customer Services:

sales@maine.co.uk

or call

01908 271 688



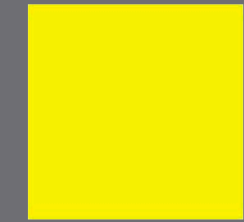
PW10001



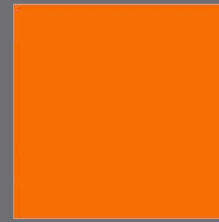
PC10106



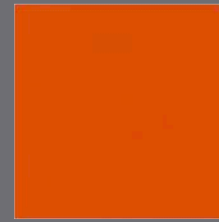
PC10108



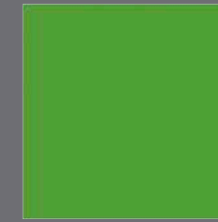
PY11020



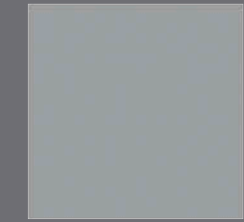
PO10801



PO10810



PG10520



PS10603



PB10023



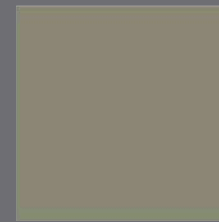
PB10024



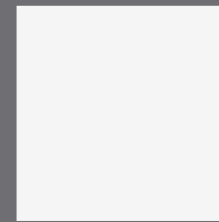
PB10425



PG10239



PG10017



PW10005



PB10709



PB10437



PR10303



PB11102

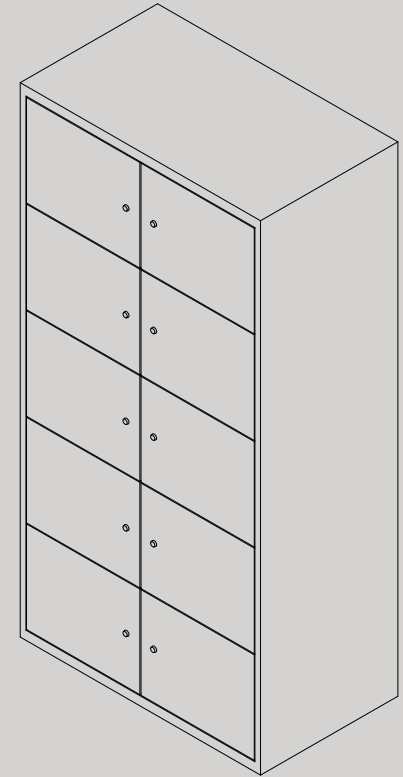
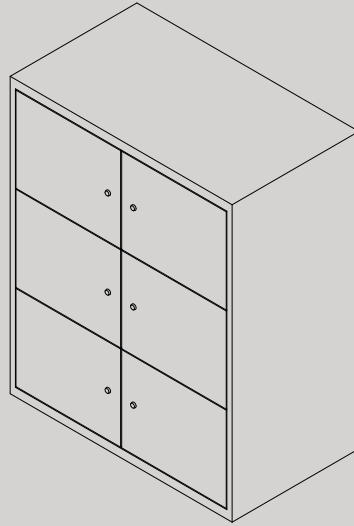
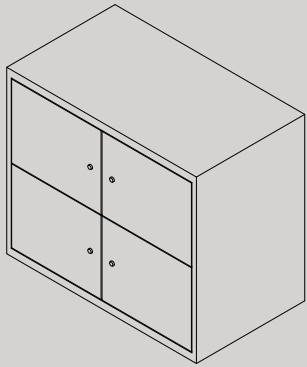


mainestream

Options

Construction

Manufactured from steel, with options of various door materials



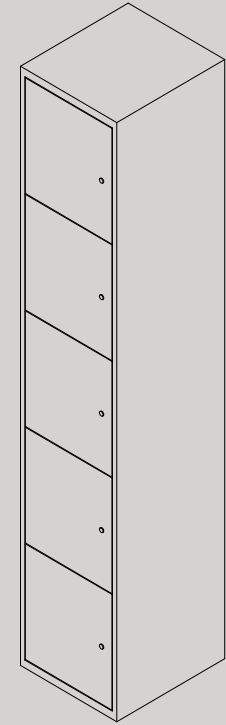
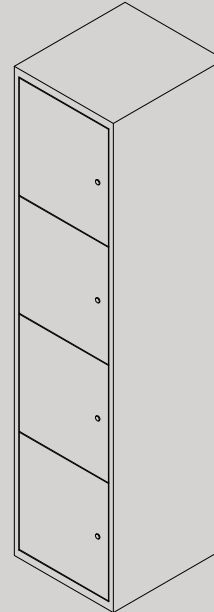
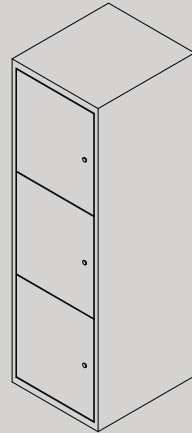
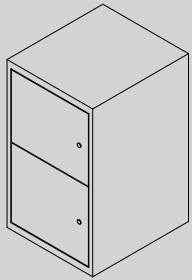
4 Person		6 Person		8 Person		10 Person	
Widths	800 / 1000mm	Widths	800 / 1000mm	Widths	800 / 1000mm	Widths	800 / 1000mm
Heights		Heights		Heights		Heights	
713mm		1085mm		1426mm		1767mm	
		1364mm		1798mm			

Other sizes available on request

mainestream

Construction

Manufactured from steel, with options of various door materials

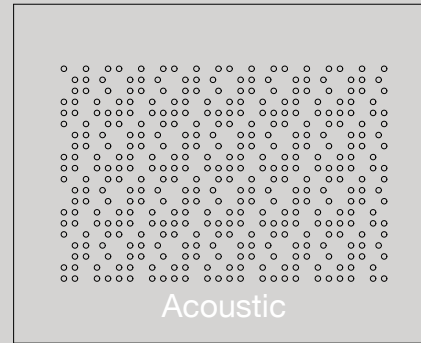
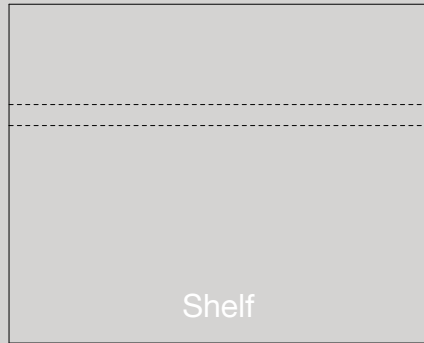
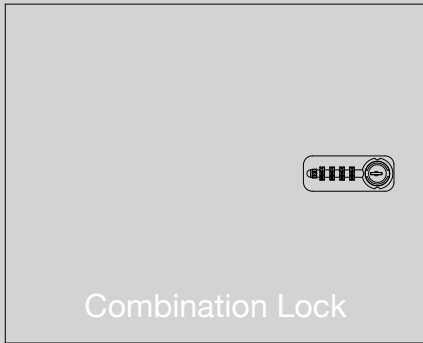
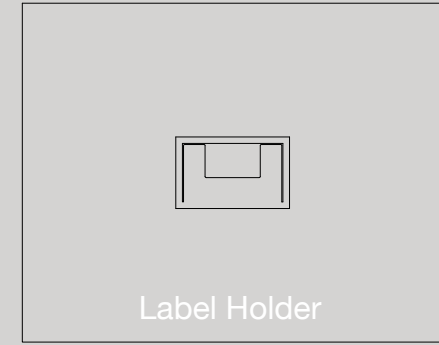
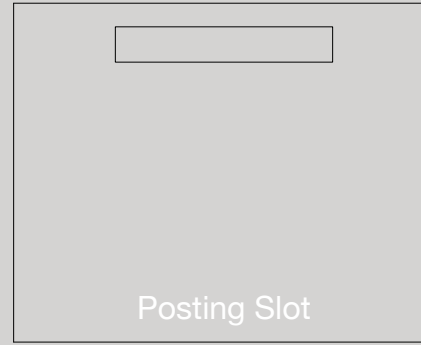
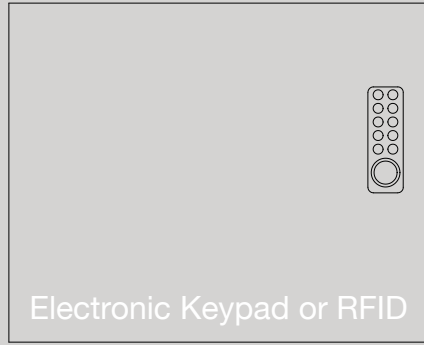
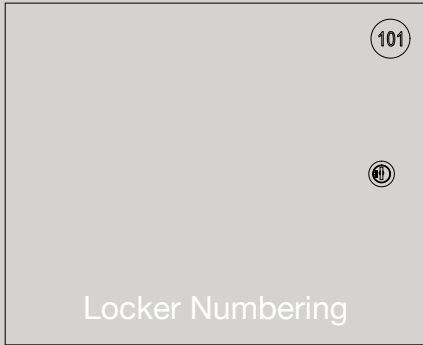


2 Person		3 Person		4 Person		5 Person	
Widths	400 / 500mm	Widths	400 / 500mm	Widths	400 / 500mm	Widths	400 / 500mm
Heights		Heights		Heights		Heights	
713mm		1085mm		1426mm		1767mm	
		1364mm		1798mm			

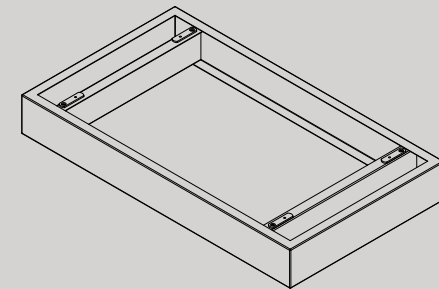
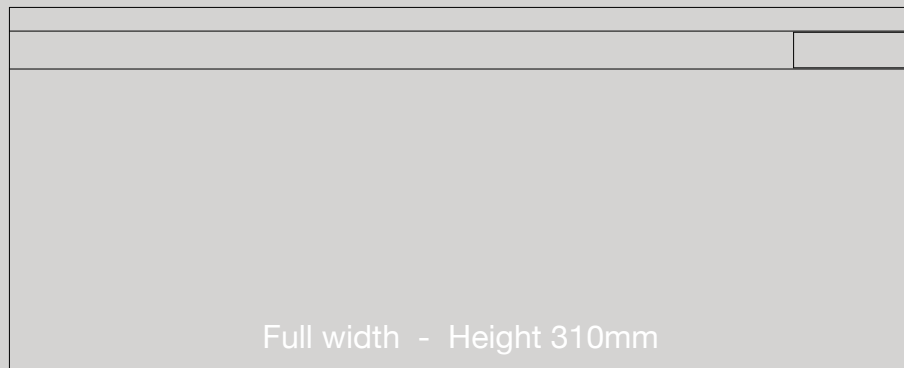
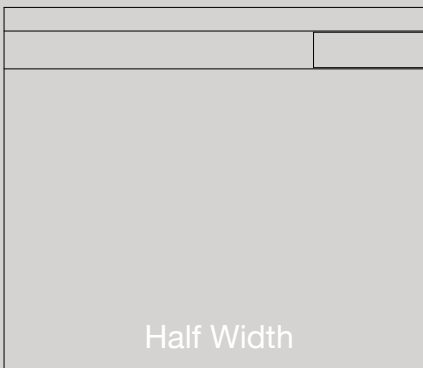
Other sizes available on request

mainstream

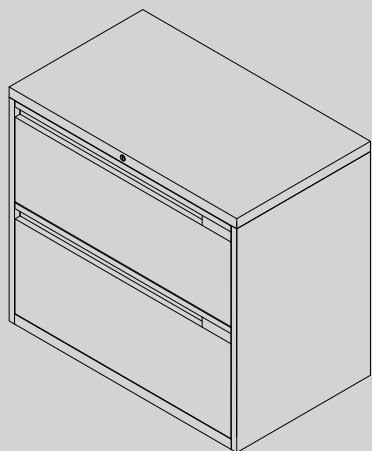
Door Options



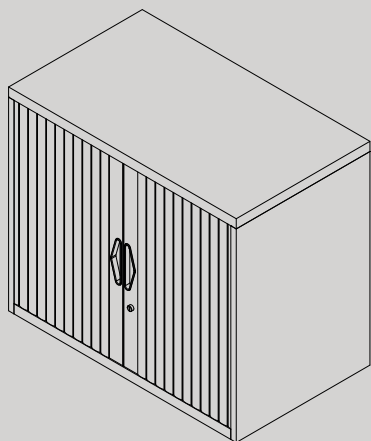
Drawer Options



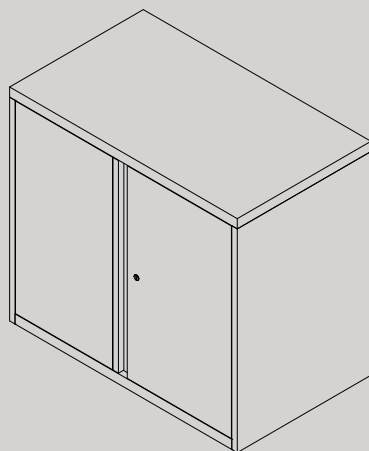
DRAWERS



TAMBOURS



CUPBOARDS



2 high (713mm)

Drawers 1x 310mm & 1x 341mm
File bars included

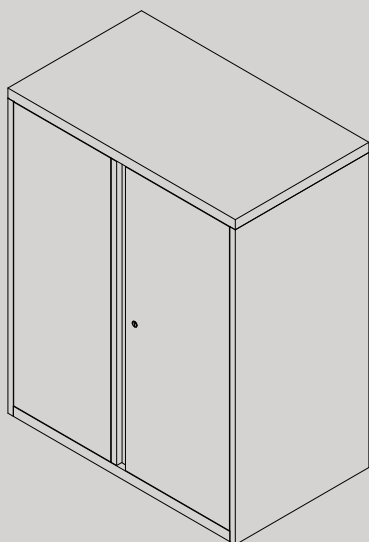
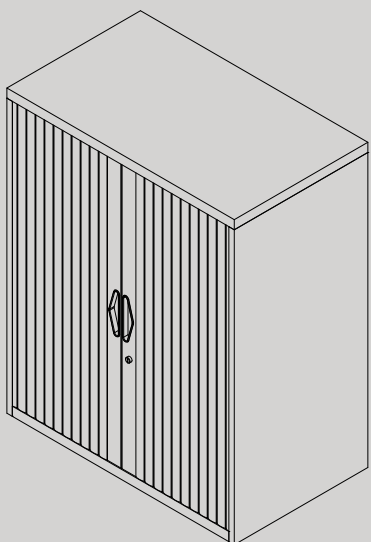
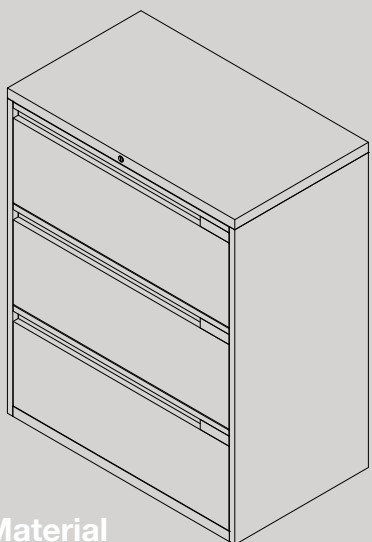
Tambour 1x thin shelf **Cupboard** 1x thin shelf

widths

800mm

1000mm

Counter balance weight included



3 high (1085mm)

Drawers 3 x 341mm
File bars included

Tambour 2 x shelves **Cupboard** 2 x shelves

widths

800mm

1000mm

Counter balance weight included

Material

Steel & Laminated Doors

Finishes

Powder Coated

Colours

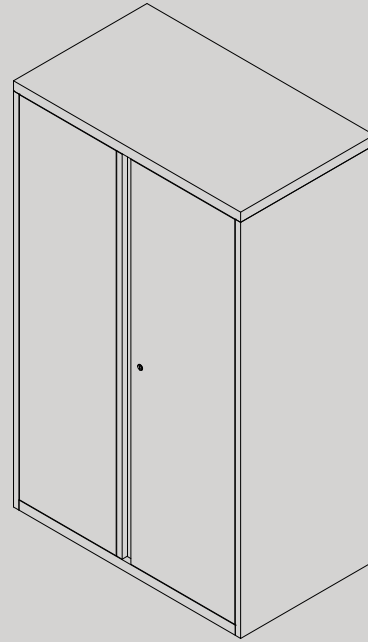
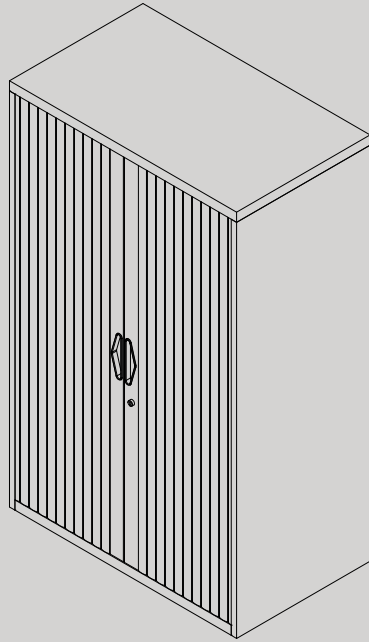
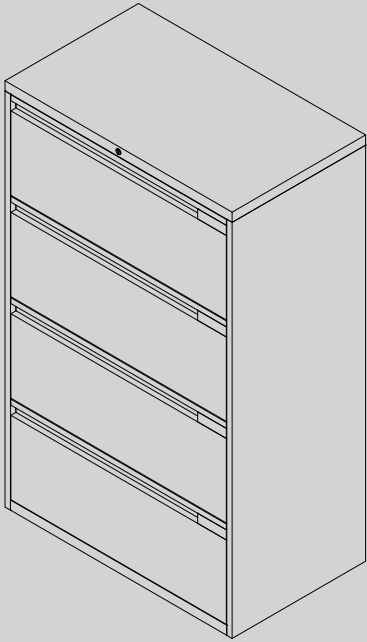
Any RAL

mainstream

DRAWERS

TAMBOURS

CUPBOARDS



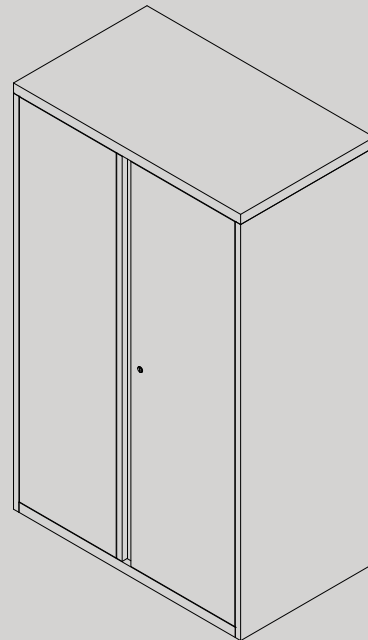
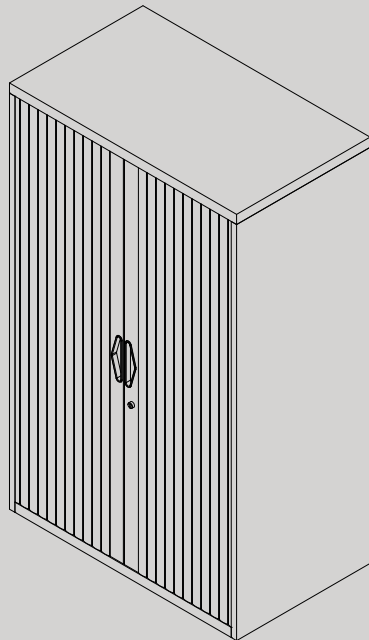
4 high (1364mm)
Drawers 2x 310mm + 2x 341mm
File bars included

Tambour 3x shelves **Cupboard** 3x shelves

widths

800mm

1000mm



4 high (1426mm)
Tambour 3x shelves
Cupboard 3x shelves

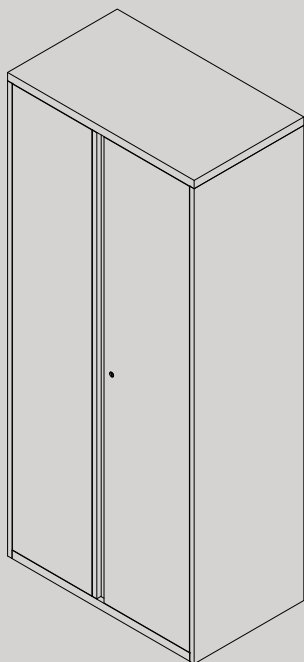
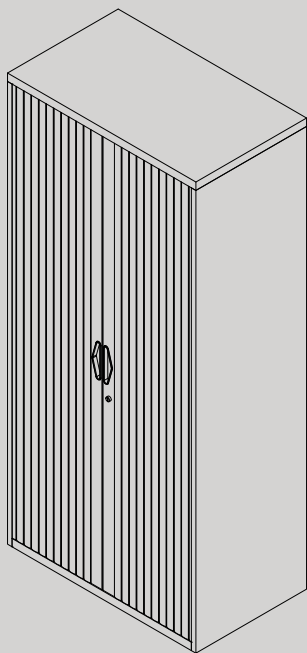
widths

800mm

1000mm

TAMBOURS

CUPBOARDS



5 high (1767mm)

Tambour 4 x shelves

Cupboard 4 x shelves

widths

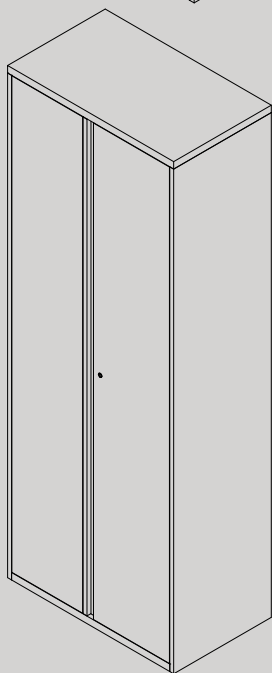
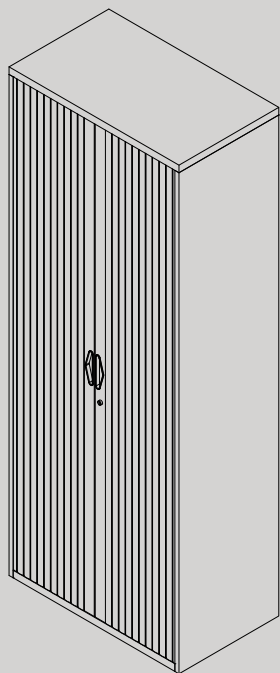
800mm

1000mm

1829mm high

800mm

1000mm



5 high (1798mm)

Tambour 4 x shelves

Cupboard 4 x shelves

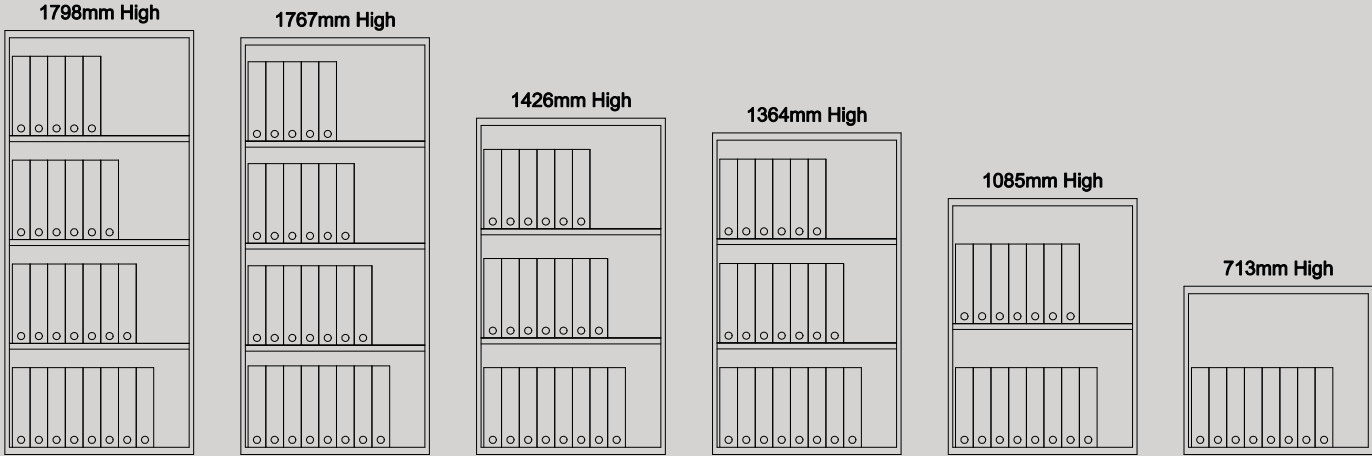
widths

800mm

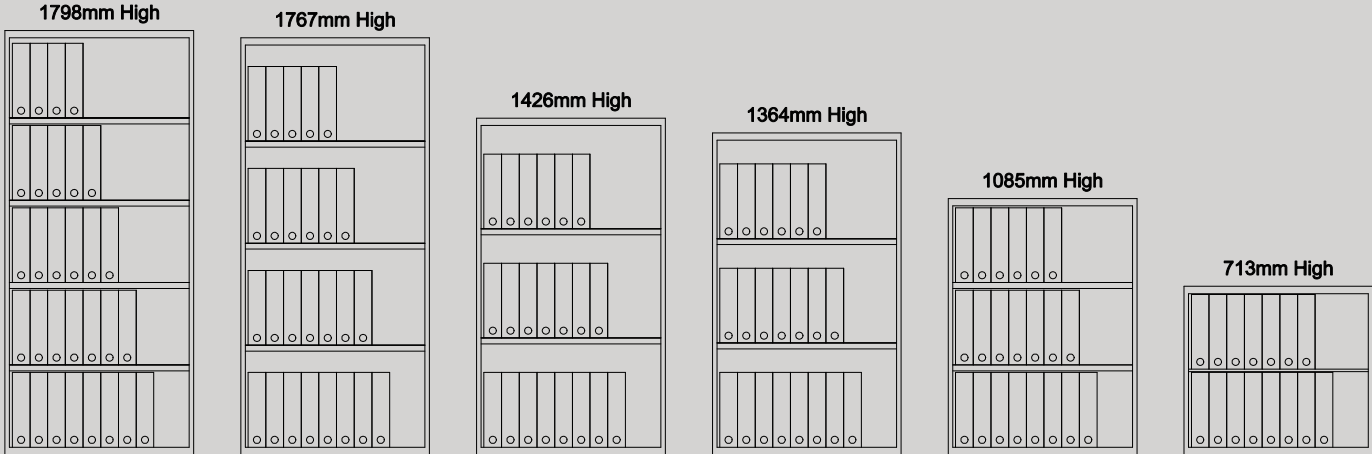
1000mm

CAPACITIES & SIZES

Cabinet Capacities



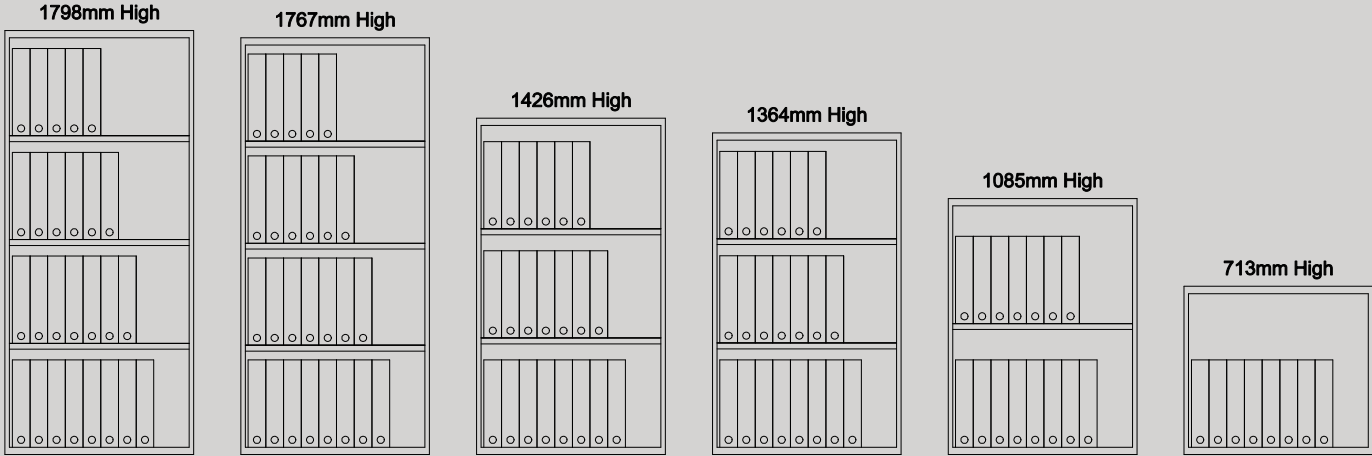
A4 Box File



A4 Lever Arch

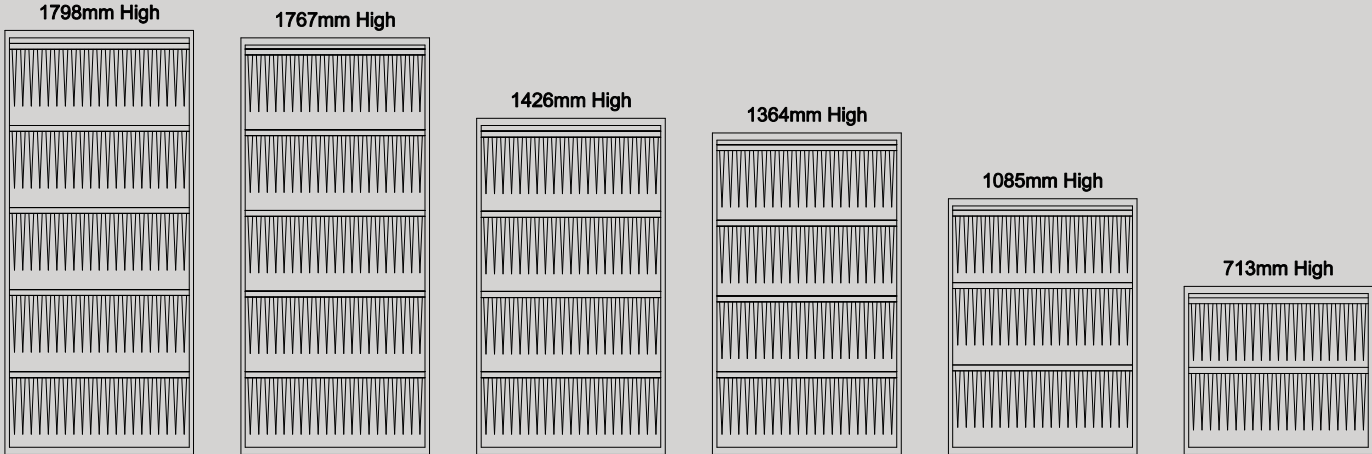
CAPACITIES & SIZES

Cabinet Capacities



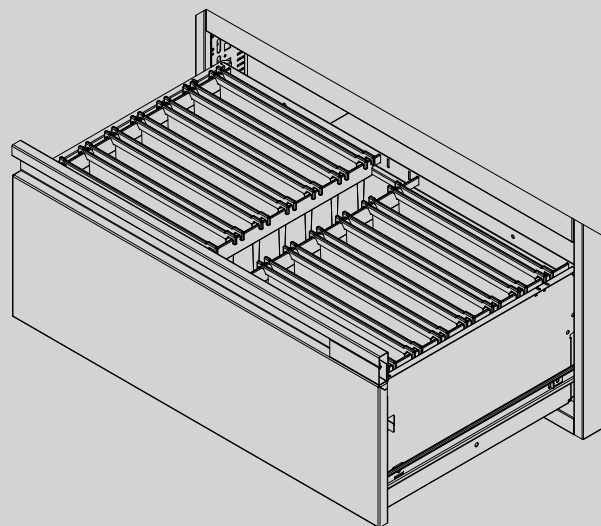
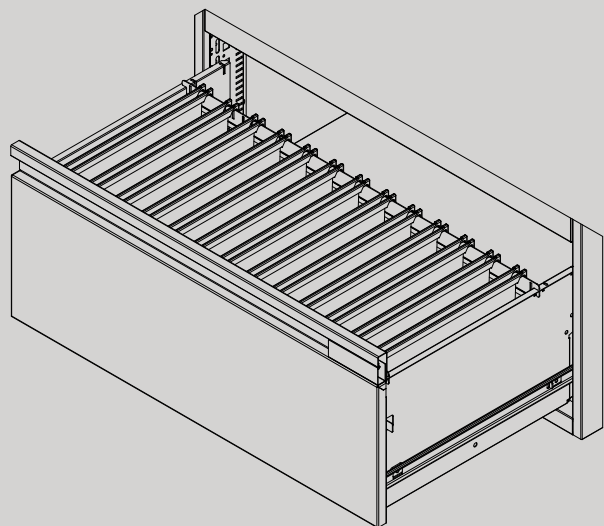
Foolscap Box File

Foolscap Lever Arch

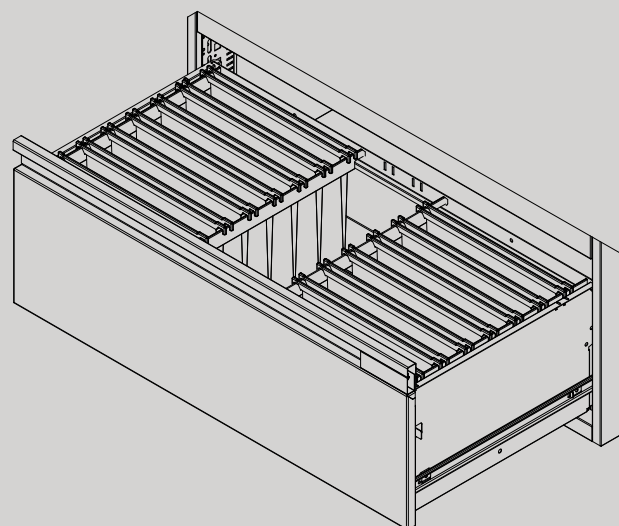
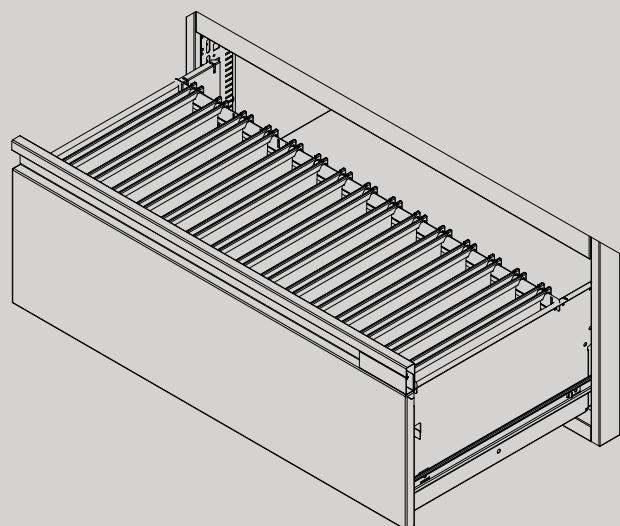


**Lateral File Pockets
(includes FBJ Bar and
combination shelves)**

A4 SUSPENDED FILING FOR DRAWERS

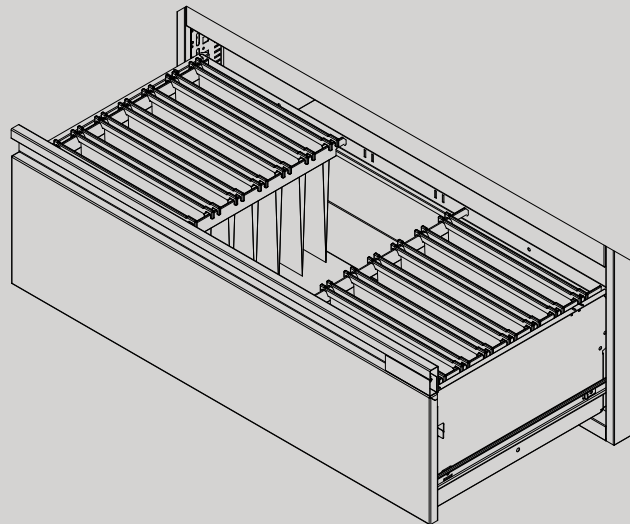
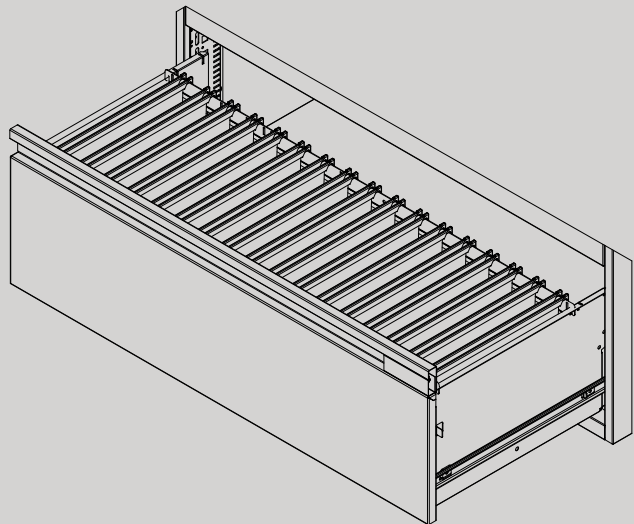


width	800mm	folder bar ref.
Side-to-side	718mm	80-FBA
Front-to-back	768mm	80-FBC

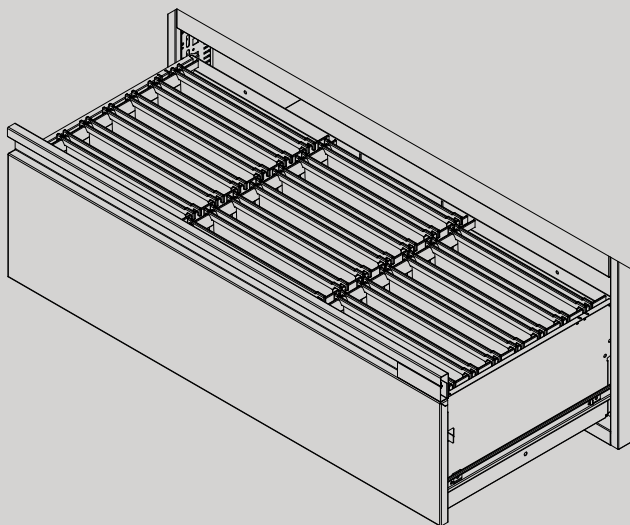
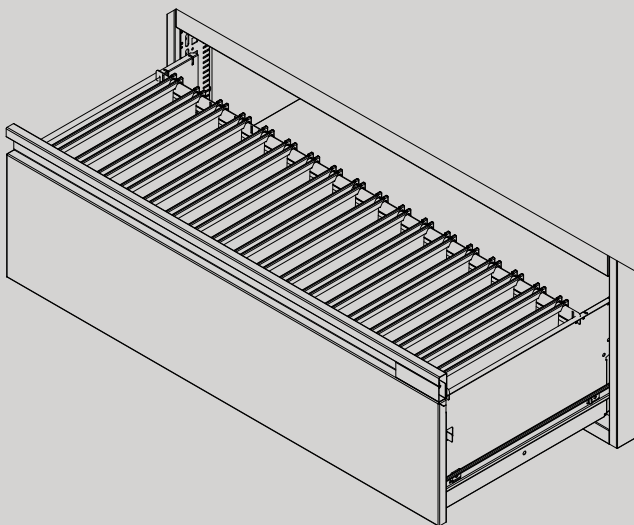


width	1000mm	folder bar ref.
Side-to-side	918mm	10-FBA
Front-to-back	768mm	10-FBC

FOOLSCAP SUSPENDED FILING FOR DRAWERS



width	800mm	folder bar ref.
Side-to-side	718mm	80-FBA
Front-to-back	702mm	80-FBB



width	1000mm	folder bar ref.
Side-to-side	918mm	10-FBA
Front-to-back	854mm	10-FBB

Prices shown are list prices exc vat

Cupboard Units

Files A4 lever arch/box files and foolscap lever arch/box files

Capacity height 320mm

Unit width	Capacity	A4 lever arch per shelf
800mm	760mm	10
1000mm	960mm	12

Accessories

Ask for our accessories information for further internal options.

Drawer Units

Files A4 or foolscap suspension and binders spine-up

Capacity depth 290mm

Unit width	Capacity
800mm	718mm
1000mm	918mm

Material Steel

Finishes Powder coated

Colours RAL, Dulux, Pantone

Counterbalance weight

(CBW) recommended for drawer units under 1023mm high

Sizes

Units Lockers, drawers, cupboards & tambours

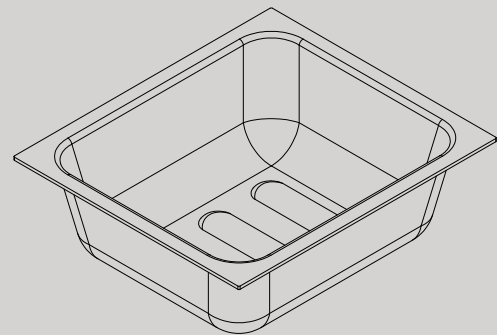
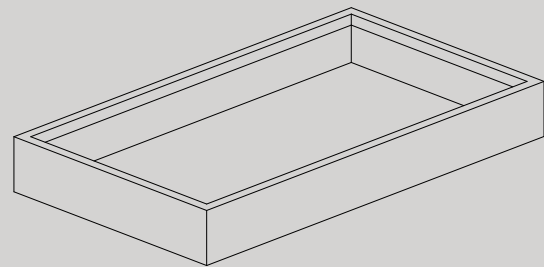
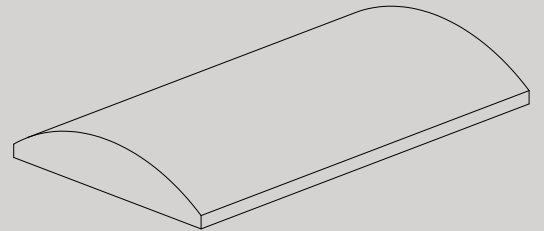
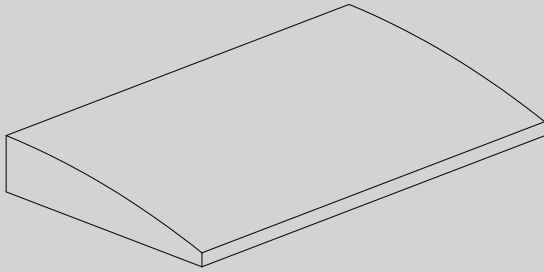
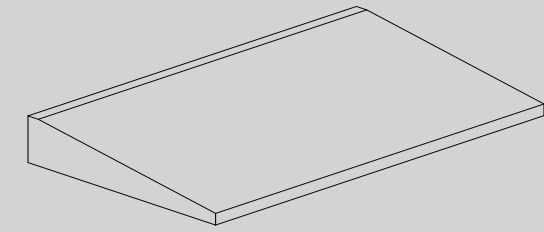
Depth 470mm (all units)

Widths 800mm, 1000mm

Heights 713mm, 1085mm, 1364mm, 1426mm, 1767mm, 1798mm



Once you have chosen your combination of filing and storage units, why not add some biophilic elements to help increase wellbeing in the workplace.



Description	Width	Code
Sloping top	800mm	80-ST
	1000mm	10-ST
Curved top	800mm	80-CT
	1000mm	10-CT
Domed top	800mm	80-DT
	1000mm	10-DT
Planter box	800mm	80-PB
	1000mm	10-PB
Planter liner	800mm (400mm x 2)	80-PL
	1000mm (500mm x 2)	10-PL



maine

tel: 01908 271 688 email: sales@maine.co.uk web: www.maine.co.uk

London Office

45 Great Sutton Street, London, EC1V 0DE

Head Office

40 Barton Road, Water Eaton Industrial Estate, Milton Keynes, MK2 3LJ